



BS4 - Lincat Silverlink 600 Electric Counter-top Bain Marie - Dry Heat - Round Pots - Base + 4 Pots - W 450 mm - 0.75 kW

The Silverlink 600 Electric Dry Heat Bain Marie safely holds sauces, soups, gravy and precooked foods for up to two hours at the ideal serving temperature

- ✓ Dry heat bain marie
- ✓ Plug and play for an easy installation
- ✓ Ideal for holding foods for up to 2 hours at serving temperature
- ✓ Perfect for safely holding sauces, gravy & pre-cooked foods
- ✓ 4 x 8pt / 4.5Lt round stainless steel pots included
- ✓ Adjustable temperature control

Specifications

Summary

Brand	Lincat
Range	Silverlink 600
Power Type	Electric
Unit Type	Counter-top
Available in UK Only	No
UK Warranty	2 Years Parts and Labour Warranty
Export Warranty	Contact your local dealer
GTIN	5056105100300

Power and Performance

Total Power kW	0.75
IP Rating	IP33
Temperature Control	Mechanical

Key Specifications

Pot Type	Round pot
Type of Heat	Dry

Weights and Dimensions

Unit Height (External) mm	325
Unit Width (External) mm	450
Unit Depth (External) mm	600
Net Weight Kg	14.8

Supply Connections

Requires Installation	No
Requires Electrical Supply	Yes
UK 3 Pin Plug	Yes
Requires Hardwiring	No
Electrical Supply Rating Watts	750
Single Phase Amps	3.3
Single Phase Voltage	230

Shipping

Packed Weight Kg	16.28
Packed Height cm	49.5
Packed Width cm	70
Packed Depth cm	55

Available Accessories

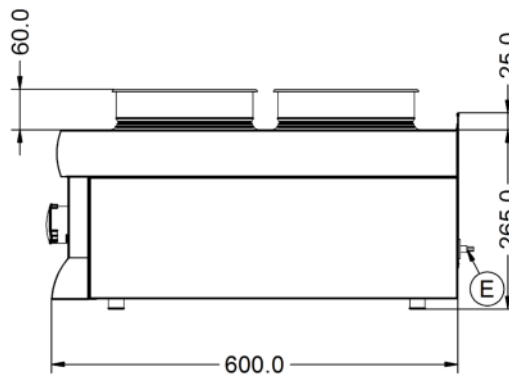
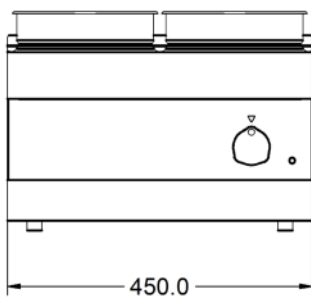
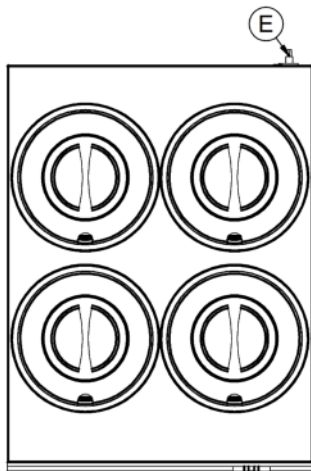
CC4	Lincat Silverlink 600 Free-standing Ambient Open-Top Pedestal with Doors - W 450 mm
CN4	Lincat Silverlink 600 Free-standing Ambient Open-Top Pedestal without Doors - W 450 mm
HC4	Lincat Silverlink 600 Free-standing Heated Open-Top Pedestal with Doors - W 450 mm - 0.5 kW
HCL4	Lincat Silverlink 600 Free-standing Heated Pedestal with Legs and Doors - W 450 mm - 0.5 kW

Available Accessories

SLS4

Lincat Silverlink 600 Free-standing Floor Stand - for units W 450 mm

Technical Picture





Lincat Limited

Whisby Road,
Lincoln, LN6 3QZ,
United Kingdom

Company No: 2175448

A member company of



Customer Care

Tel: +44 1522 875500
Email: care@lincat.co.uk

Export Customers

Tel: +44 1522 875536
Email: export@lincat.co.uk

Opening Hours

Monday – Friday:
8.30am – 5pm