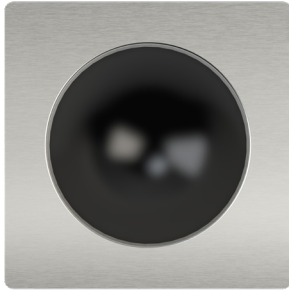


DROP-IN INDUCTION WOK with Helios Controls



HELIOS

Helios, CookTek's new enhanced user interface, provides improved reliability and more precise cooking controls. The capacitive touch control includes power percentage or temperature display options.

FEATURES

- Models available in 1800*, 2500, 3000, 3500 watts
- Available in 100-120 VAC or 200-240 VAC, single phase
- Drop-in design with stainless steel housing
- High-quality internal electronics and heavy gauge Litz wire
- Easy-to-clean high-temperature glass-ceramic wok bowl
- 4.3" capacitive touch display
- Even heat distribution across wok cookware*
- Temperature range from 85°F–425°F (29°C–218°C)
- Automatic pan detection allows for instant energy transmission to pan
- Automatic shut-off feature prohibits overheating
- Integral grease filter and air baffle ensure air intake is cleaner and cooler
- Microprocessor monitors vital components to check for overheating, power supply issues, and more

INCLUDED

- Two-year advanced replacement warranty – U.S. and Canada
- Integral fan to keep internal components cool
- Standard Cat 5e or Cat 6 patch cable from the unit to the control box
- Plug and cord (6 ft. nominal)

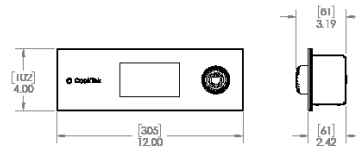
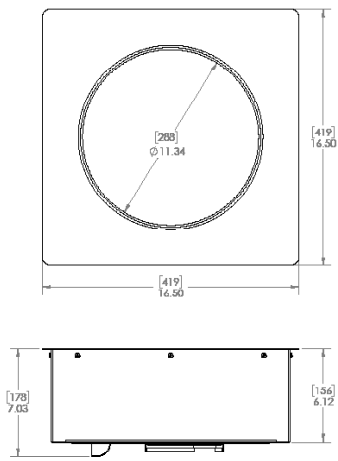
CERTIFICATIONS



*U.S. only

**Induction cooking requires the use of induction compatible (i.e., magnetic) cookware.

The owner and installer are responsible for complying with all local codes. CookTek reserves the right to make substitutions of components or change specifications without prior notice.



DIMENSIONS		
Height	6.12"	156 mm
Width	16.5"	419 mm
Housing Width	15.38"	391 mm
Depth	16.5"	419 mm
Housing Depth	15.38"	391 mm
Bowl Width	11.34" ø	288 mm ø
Bowl Vertical Depth	2.66"	68 mm
Cutout Width	15.75"	400 (mm)
Cutout Height	15.75"	400 (mm)
Weight	22 lb.	9.98 kg
CLEARANCE		
Front	2"	51 mm
Sides	2"	51 mm
Rear	2"	51 mm
Below	6"	152 mm
COOLING REQUIREMENTS AND SPECIFICATIONS*		
Max Ambient Temperature	122°F	50°C
Min. Ventilation Requirements	16 in ²	103 cm ²
INTERNAL COOLING FAN DISPLACEMENT		
100-120 V Models	50 CFM (1.5m ³ /min.)	
200-240 V Models	70 CFM (2.0m ³ /min)	
SHIPPING INFORMATION		
Packaged Height	13"	330 mm
Packaged Width	23"	584 mm
Packaged Depth	24"	610 mm
Packaged Weight	23 lb.	10.4 kg
Item Class	250 NMFC #26710	

ELECTRICAL SPECIFICATIONS (SINGLE PHASE)			
UNITED STATES/CANADA			
HTD-9500-WK18-1	Drop-in, Wok, 1800W, 120V	NEMA 5-15P	
HTD-9500-WK25-1	Drop-in, Wok, 2500W, 240V	NEMA 6-20P	
HTD-9500-WK35-1	Drop-in, Wok, 3500W, 240V		
UK AND SAUDI ARABIA			
HTD-9500-WK25-2	Drop-in, Wok, 2500W, 240V	BS1363 13A, 230V	
HTD-9500-WK35-2	Drop-in, Wok, 3500W, 240V	IEC 309 16A, 3-pin	
INTERNATIONAL			
HTD-9500-WK25-3	Drop-in, Wok, 2500W, 240V	CEE 7/7 Schuko 16A, 250V	
HTD-9500-WK35-3	Drop-in, Wok, 3500W, 240V		
AUSTRALIA			
HTD-9500-WK25-4	Drop-in, Wok, 2500W, 240V	AS/NZS 3112:2000 10A, 250V	
HTD-9500-WK35-4	Drop-in, Wok, 3500W, 240V		
JAPAN			
HTD-9500-WK25-6	Drop-in, Wok, 2500W, 200V	Call Factory	
HTD-9500-WK35-6	Drop-in, Wok, 3500W, 200V		
SOUTH AFRICA			
HTD-9500-WK25-7	Drop-in, Wok, 2500W, 240V	BS 546 16A, 250V	
HTD-9500-WK35-7	Drop-in, Wok, 3500W, 240V		
ISRAEL			
HTD-9500-WK25-8	Drop-in, Wok, 2500W, 240V	SI 32 16A, 250V	
HTD-9500-WK35-8	Drop-in, Wok, 3500W, 240V		

*Adequate cabinet ventilation should be provided for all drop-in models to prevent overheating of unit.

Dedicated circuit required for each installation