

Model:
PGA200

Prep Top - Pan coolers:
 R290 Propane refrigerant



Standard Features:

- **SILVER LINE**
 Designed with enduring quality that will improve the efficiency and production of your restaurant. Constructed with stainless steel AISI 304 interior & exterior.
- **INTERIOR and EXTERIOR**
 Durable, s/s AISI 304 stainless steel.
- **REFRIGERANT GAS**
 Environmentally friendly R290 (Propane)
- **POWER CORD**
 Cord and plug supplied
- **INONX PAN (OPTIONAL)**
 GN inox pans (not included)
- **TEMPERATURE CONTROLLER**
 Electronic digital controller
- **INSULATION**
 Ciclopentane High density foamed in place environmentally friendly.
 Kyoto Protocol Compliant:
 ODP = 0 (Ozone Depletion Potential)
 GWP = 0 (Global Warming Potential) polyurethane keeps energy costs low.



Digital controller



Pans (not included)



*Specification may change without prior notice

Model	PGA200	Cabinet / Packing Dimensions			Capacity
Absorbed Power W	150	mm / inches			9 x GN 1/3
Ambient temp. °C/°F	32° / 89,6°	L	D	H	
Temp. °C / °F	1° , 4° C 33,8° , 39,2° F	199,5 (cm) 78 17/32"	38,5 (cm) 15 5/32"	24,5(cm) 9 21/32"	
Voltage	230/50/1	206 (cm) 81 3/32"	40 (cm) 15 3/4"	30(cm) 11 13/16"	
Amps	0,7				
Shipping Weight	79kg / 174Lbs				
Plug	Schuko 16A				
Gas	R290				

Project Name: _____
 Location: _____
 Item: _____ Quantity: _____
 Date: _____

DESIGN

Desmon pan coolers are a long-term investment. Desmon uses the latest technologies, quality materials and components to provide the user with colder product temperatures, lower utility costs, exceptional food safety and the best value in today's food service marketplace.

CABINET CONSTRUCTION

All made in stainless steel AISI 304, unique in the market place. The finest stainless available; latest generation, higher tensile strength for fewer dents and scratches. .



guarantee if compared to other CFC free foams. Interior - attractive stainless steel Aisi304,

REFRIGERATION SYSTEM

Factory engineered, self-contained, capillary tube system using environmentally friendly (HCFC free) R290 Propane refrigerant. Temperature Range, getting the best in food preservation:
 Coolers adjustable from (1°C to 4°C / 33.8 to 39.26°F)

Specifications:

high-tech foam, Cyclopentane foams last longer than other foams. Energy savings

PANS

9 GN 1/3 inox pan not included

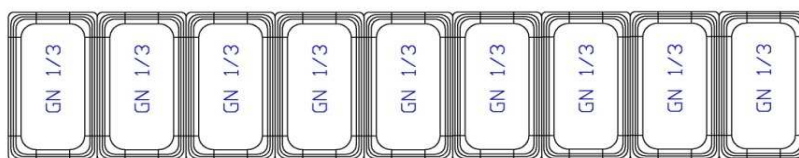
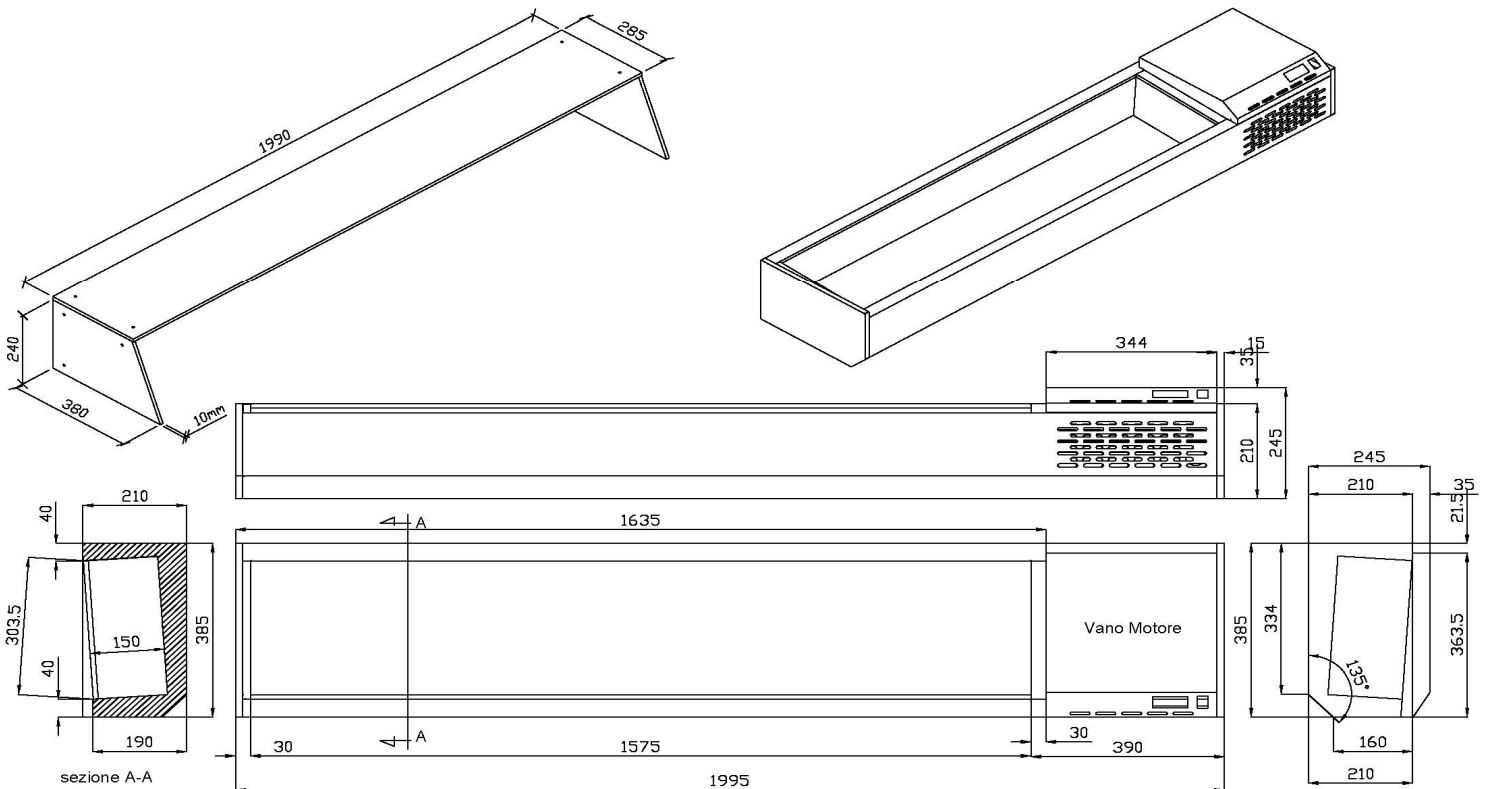
MODEL FEATURES

1 digital display adjustable with alarms

ELECTRICAL

Unit completely pre-wired at factory and ready for final connection to a dedicated outlet. Cord and plug set included
 Voltages:
 230V/50 Hz / 1 Ph

Architect Corner



Pans (not included)